

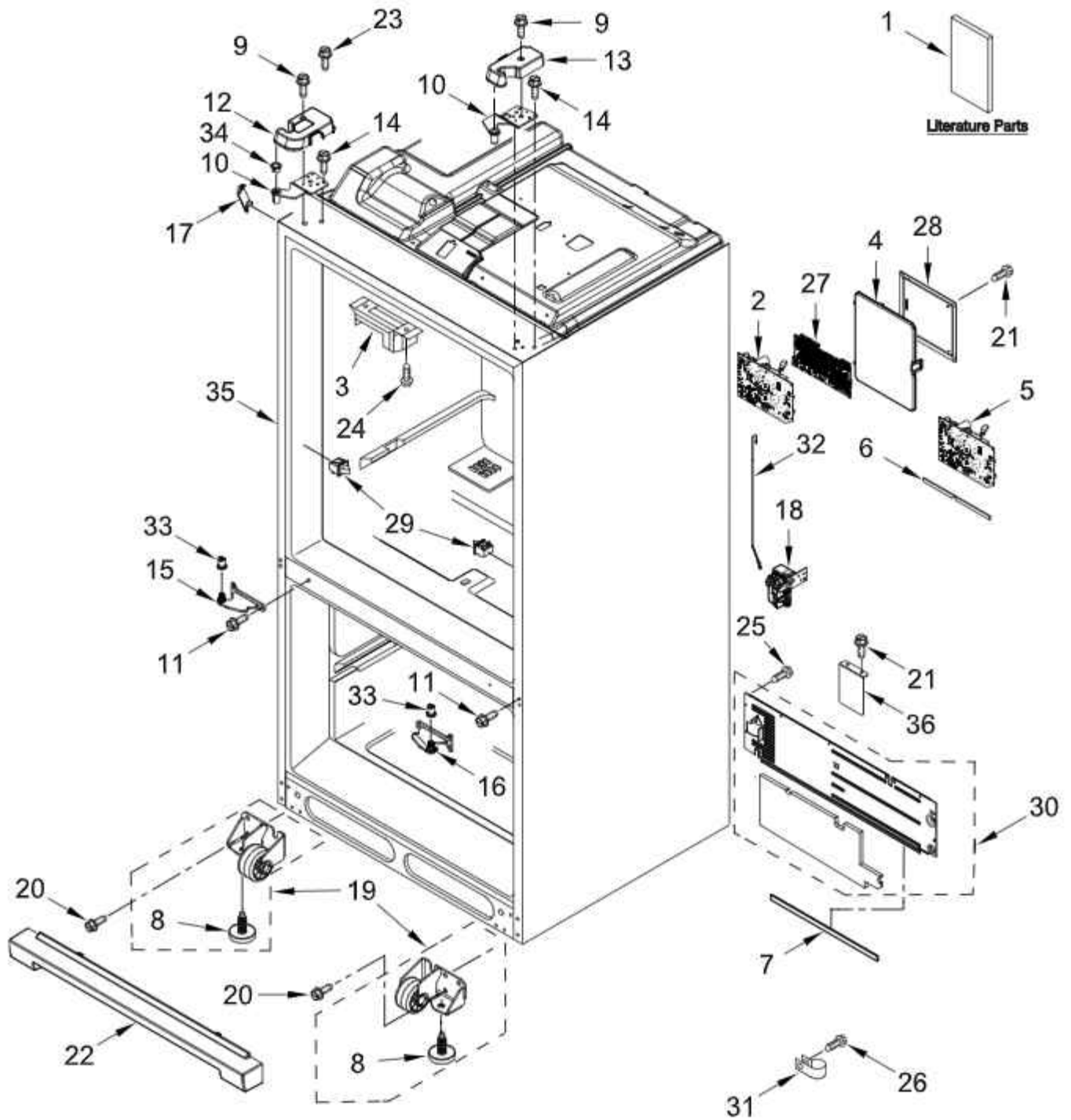
KitchenAid®

REFRIGERATOR

MODELS:

KRMF536RBS00 (Black Stainless)

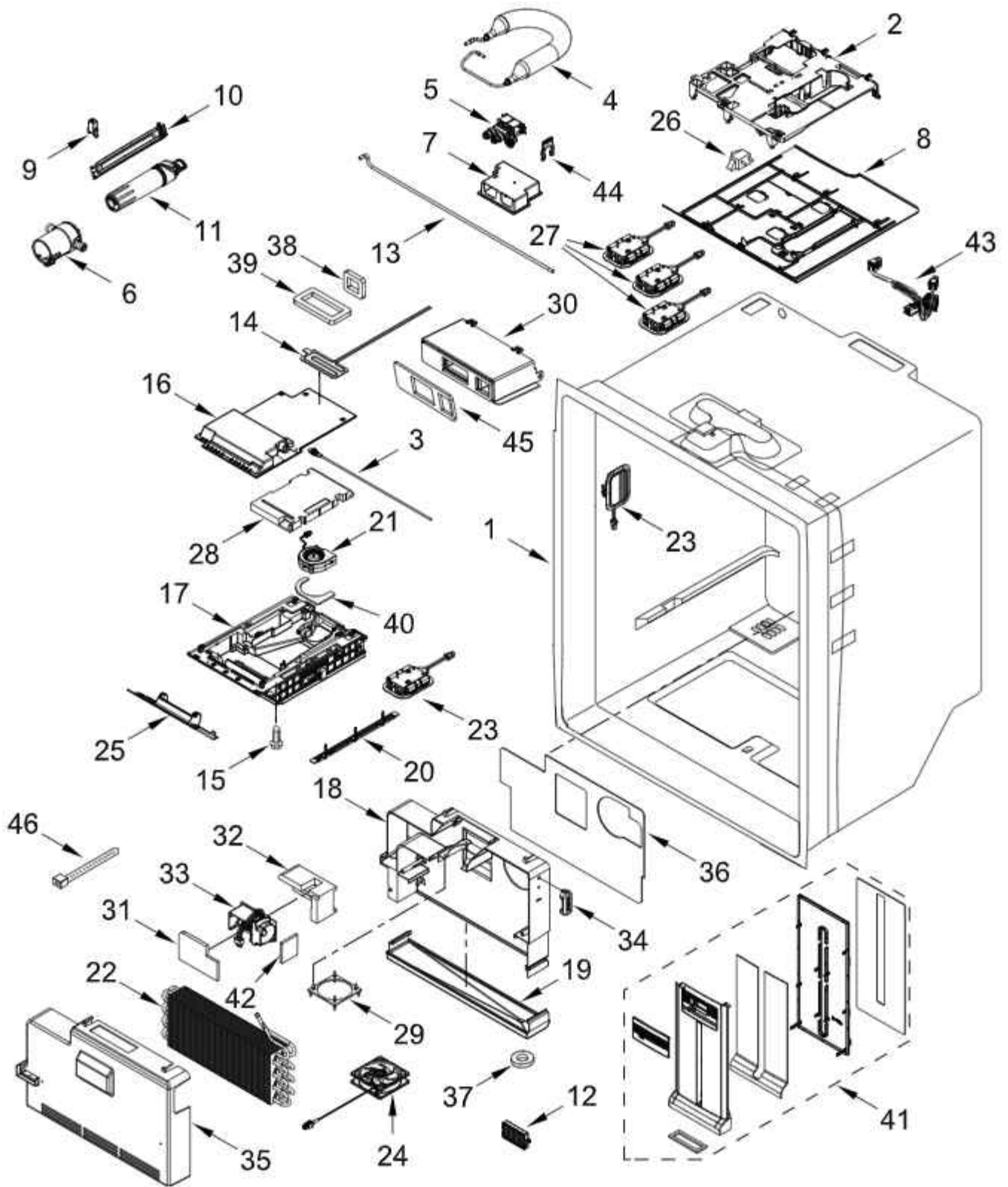
CABINET PARTS



CABINET PARTS

<u>Illus. No.</u>	<u>Part No.</u>	<u>Description</u>	<u>Illus. No.</u>	<u>Part No.</u>	<u>Description</u>	<u>Illus. No.</u>	<u>Part No.</u>	<u>Description</u>
1		Literature Parts	12		Cover, Top Hinge Left Hand (Includes Foil)	20	W10709365	Screw
	W11662360	Tech Sheet		W10471617	Black	21	12990702	Screw
	W11502338	Owners Manual				22		Grille, Toe
	W11700351	Energy Guide					W10637669	Black
2	W10665178	Supply, Power	13		Cover, Top Hinge Right Hand	23	12992601	Screw
3	W10734555	Block, Pivot		W10407157	Black	24	12990302	Screw
4	W10277839	Lid, HV		W10731474	Screw	25	W10141645	Screw
5	W10811364	Board, Control	14		Hinge, Center Left Hand	26	12990511	Screw
6	W10415341	Gasket, HV Box	15		Hinge, Center Right Hand	27	W10790783	Supply, LED Power
7	W11534848	Gasket		W10248705	Black	28	W10754591	Cover, HV Control Box
8	W10141622	Brake, Roller	16		Hinge, Center Right Hand	29	W10847850	Switch, Light
9	12992602	Screw		W10248702	Black	30	W11364644	Assembly, Unit Cover
10		Hinge, Top				31	M0108107	Clamp, Tube
	W11456644	Left Hand	17		Cover, Corner	32	W11296599	Tube, Water
	W11456643	Right Hand		12587703B	Black	33	W10505294	Coupler, Door
11	W10673842	Screw (Black)	18	W11460084	Valve, Water	34	W10212137	Retainer, Door
			19		Assembly, Roller	35		Cabinet (Not a Servicable Part)
				W10515763	Left Hand			
				W10515762	Right Hand	36	W11578005	Cover, Roller

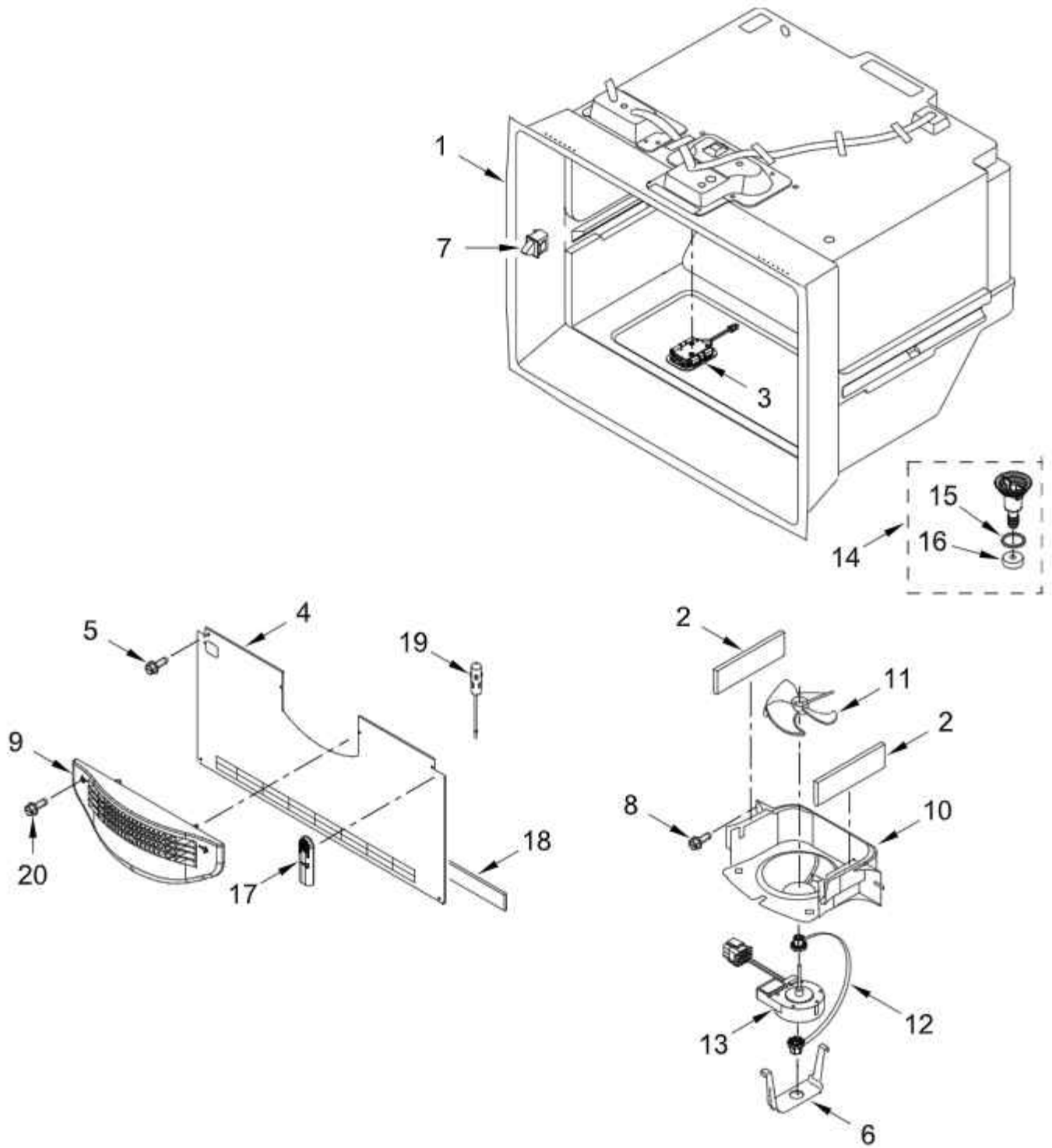
REFRIGERATOR LINER PARTS



REFRIGERATOR LINER PARTS

<u>Illus. No.</u>	<u>Part No.</u>	<u>Description</u>	<u>Illus. No.</u>	<u>Part No.</u>	<u>Description</u>	<u>Illus. No.</u>	<u>Part No.</u>	<u>Description</u>
1		Liner (Not A Serviceable Part)	19	W10525237	Pan, Drain	31	W10503491	Retainer, Damper
2	W11281629	Housing, Water System	20	W10785113	Trim, Icebox	32	W10503492	Support, Damper
3	W11613057	Tube, Fill	21	W10833801	Fan, Icebox	33	W10248595	Damper, Electronic Control
4	W11296598	Reservoir, Water (Also Order Wire Tie Part 8567668)	22	W11395822	Assembly, RC Dual Evaporator	34	W10438957	Cover, Thermistor
5	W11255718	Valve, Dual Water		W11504450	4/1.8 NR MS 00	35	W10738349	Assembly, Evaporator Cover
6	W11293954	Housing, Water Filter			(Capillary Tube to Evaporator)	36	W10465948	Gasket, Evaporator Enclosure
7	W11391457	Enclosure, Water Valve		W11506619	8 NK MS 00	37	W10510863	Gasket, Drain Tube
8	W10754145	Cover, Waterbox			(Suction Line to Evaporator)	38	W10320706	Gasket, Rear Return
9	2223877	Latch, Push	23	W11229041	Assembly, LED Module	39	W10280988	Gasket, Rear Supply
10	W10754143	Door, Filter Access	24	W10799016	Motor, Evaporator Fan (Includes Wire Harness)	40	W10392172	Gasket, Fan
11	W10680605	Filter, Water	25	W11504347	Assembly, Fascia (Includes Heater)	41	W10749499	Assembly, Air Tower
12	W10315189	Filter, Air	26	W10847853	Switch, Rocker	42	W10470981	Gasket, Damper
13	W11658811	Waterline, Valve to Hinge	27	W11234022	Harness, LED Wire (Includes LED lights)	43	W11369503	Wire Assembly, Jumper
14	W10706850	Heater, Fill Tube	28	W10280983	Insulation	44	W11175631	Locking Ring (5/16)
15	12990518	Screw	29	W10389152	Support, Fan	45	W11672619	Gasket, Adapter
16	W10598013	Cover, Icebox	30	W10749701	Assembly, Icebox Adapter	46	2263990	Tie, Wire
17	W11547437	Assembly, Icebox (Foamed)						FOLLOWING PARTS NOT ILLUSTRATED
18	W10503486	Enclosure, Evaporator				W11306925		Harness, Dual Valve
						W11298842		Wire Assembly, Ice Box

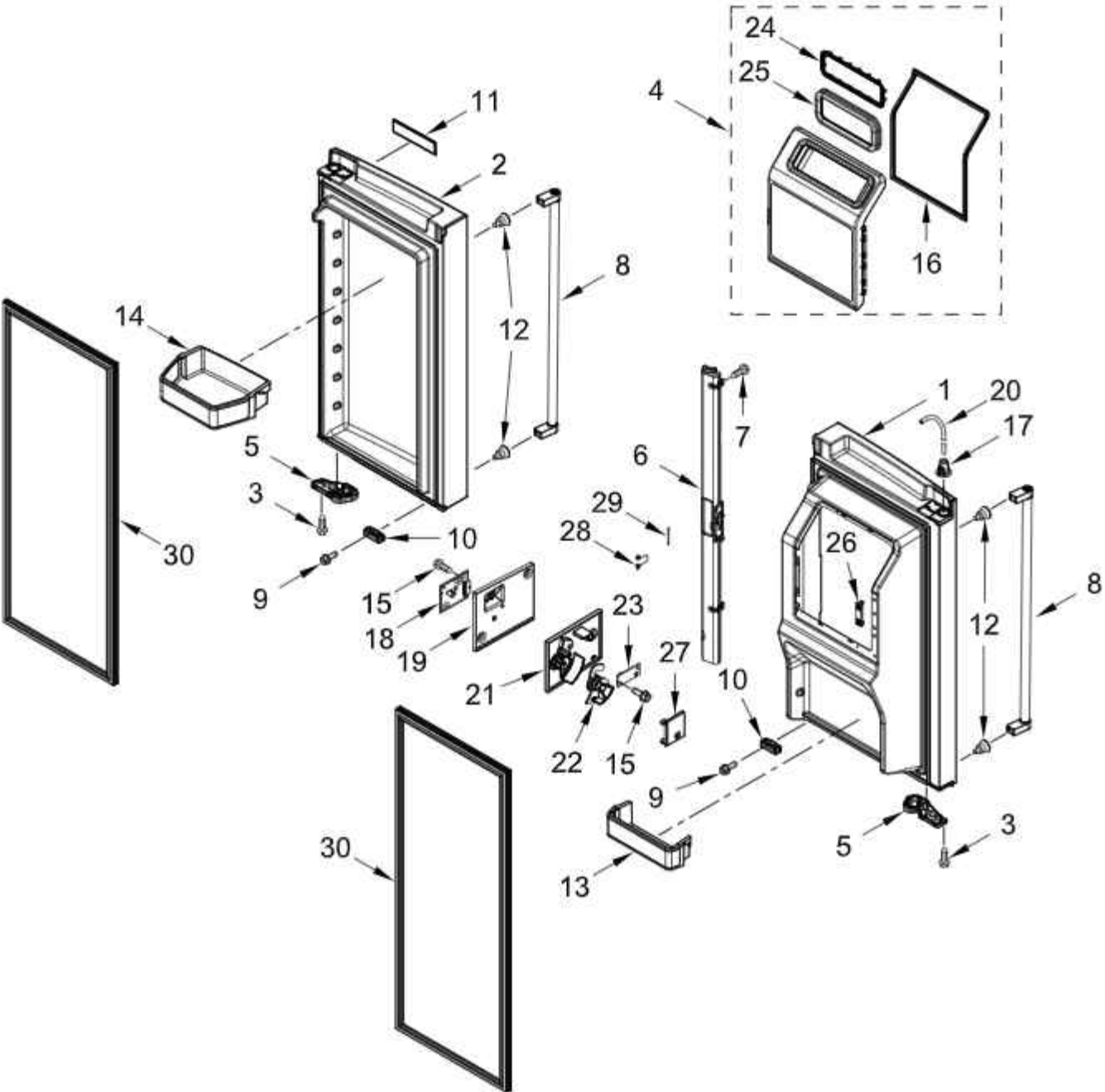
FREEZER LINER PARTS



FREEZER LINER PARTS

<u>Illus. No.</u>	<u>Part No.</u>	<u>Description</u>	<u>Illus. No.</u>	<u>Part No.</u>	<u>Description</u>	<u>Illus. No.</u>	<u>Part No.</u>	<u>Description</u>
1		Liner (Not A Serviceable Part)	8	12990504	Screw	14	W10503218	Assembly, Drain Funnel
2	A3189392	Gasket, Foam	9	W10496613	Grille, Air (Freezer)	15	M0500703	Seal
3	W11228040	Assembly, LED Light Module	10	W10363507	Shroud, Evaporator Fan	16	B8381501	Gasket, Drain
4	W11408170	Cover, Evaporator (Freezer)	11	12986101	Blade, Fan	17	W10405166	Cover, Thermistor
5	12990511	Screw	12	12951101	Grommet, Fan Motor	18	W10531268	Gasket, Dual Evaporator
6	12956601	Clip, Fan Motor	13	W11321600	Motor, Evaporator (Includes Harness, Thermistor, and Defrost Thermostat)	19	W10280385	Thermistor
7	W10847855	Switch, Light				20	8281136	Screw

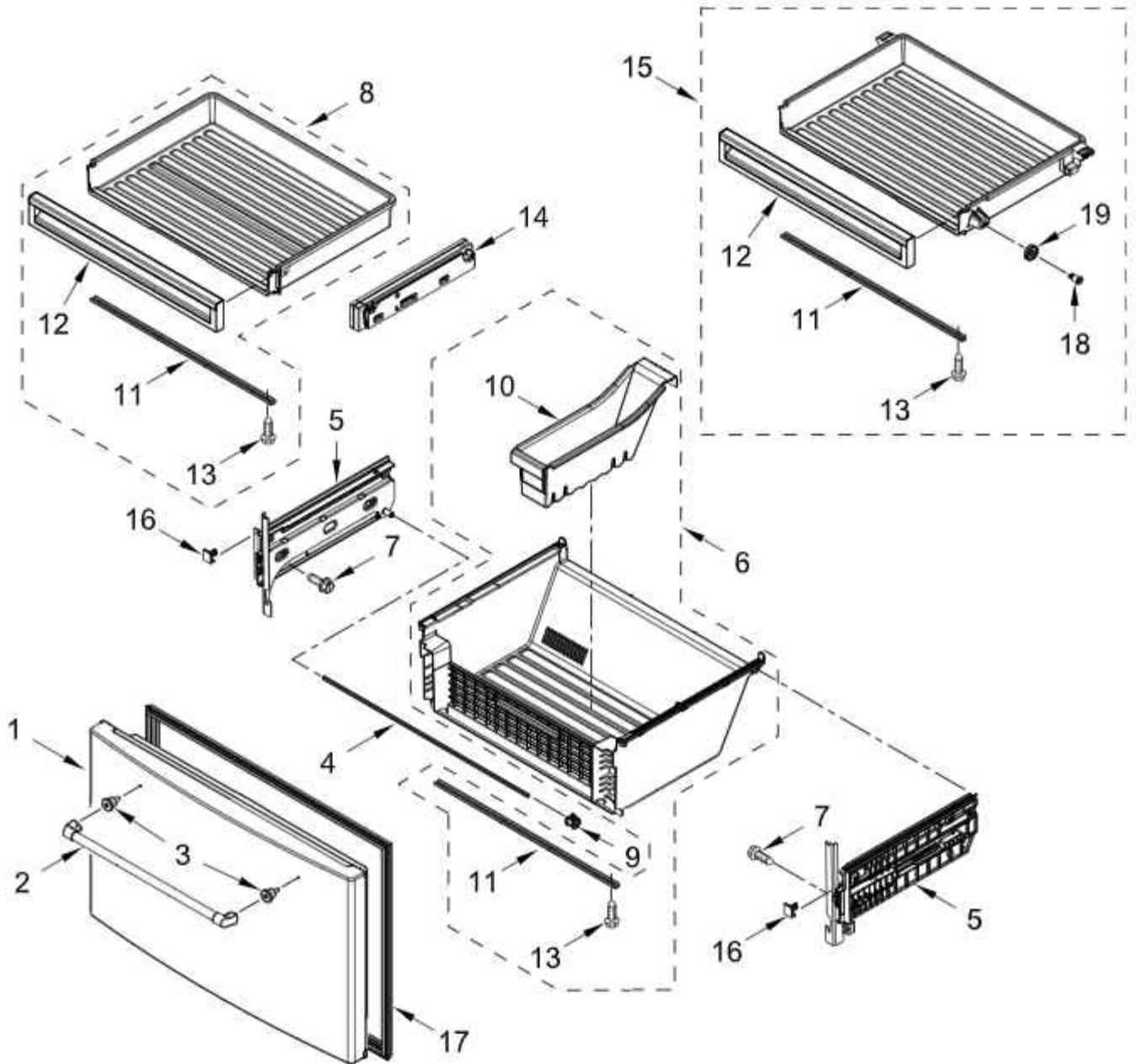
REFRIGERATOR DOOR PARTS



REFRIGERATOR DOOR PARTS

<u>Illus. No.</u>	<u>Part No.</u>	<u>Description</u>	<u>Illus. No.</u>	<u>Part No.</u>	<u>Description</u>	<u>Illus. No.</u>	<u>Part No.</u>	<u>Description</u>
1		Door, Refrigerator Left Hand (Includes Door Gasket)	8		Handle, Door Stainless	21	W10563309	Cover, Emitter
	W11699377	Black Stainless	9	12990504	Screw	22	W10563328	Slide, Icemaker Shut Off
2		Door, Refrigerator Right Hand	10		Bumper, Door Black	23	W10832970	Board, Emitter Circuit
	W11699362	Black Stainless	11		Nameplate	24	W10562839	Retainer, Ice Chute
3	W10238319	Screw	12	W10765861	Grey	25	W11261135	Gasket, Ice Chute
4	W11261138	Door, Ice	13	W11328753	Screw	26	W10646867	Vent, Thermistor
5		Latch, Door	14	W11373152	Trivet, 2 Liter	27	W10563323	Door, Emitter
	W10712952	Left Hand	15	W11373151	Bucket, Gallon	28	2198635	Spring, Door
	W10712953	Right Hand	16	12993001	Screw	29	W10331749	Pin, Door
6		Mullion, Door	17	W10567561	Gasket, Ice Door	30		Gasket, Door
	W11696582	Black	18	W11315302	Clip, Tube		W10873942	Black
7	12990204	Screw	19	W10882532	Board, Receiver Circuit			
			20	W10563326	Cover, Receiver			
				W10499015	Tube, Water			

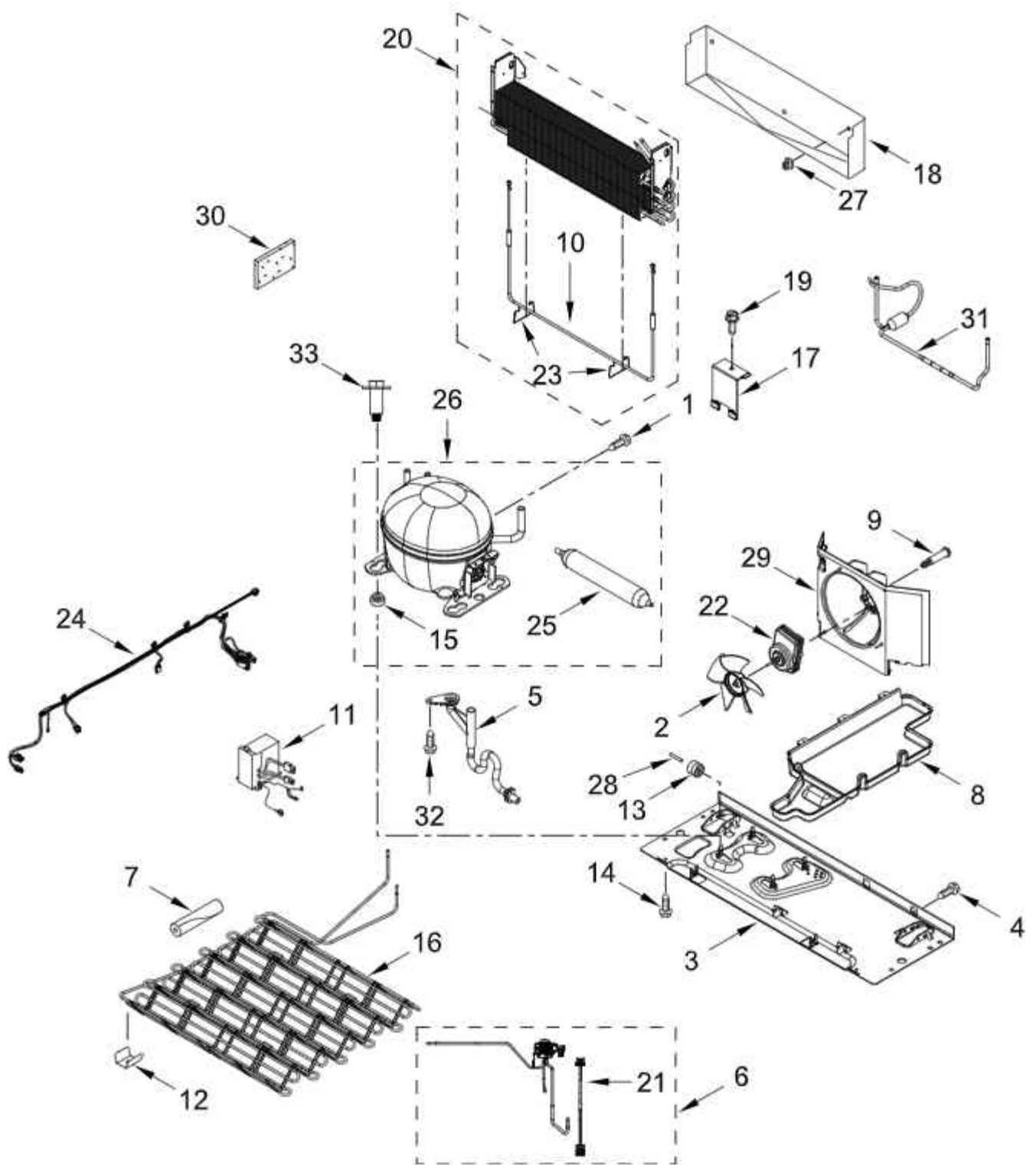
FREEZER DOOR PARTS



FREEZER DOOR PARTS

<u>Illus. No.</u>	<u>Part No.</u>	<u>Description</u>	<u>Illus. No.</u>	<u>Part No.</u>	<u>Description</u>	<u>Illus. No.</u>	<u>Part No.</u>	<u>Description</u>
1		Door, Freezer (Includes Door Gasket)	7	12990518	Screw	15	W11238188	Assembly, Center Pan (Freezer)
	W11381841	Black Stainless	8	W11238210	Assembly, Upper Pan (Freezer)	16		Stop, Pan
2		Handle, Door	9	W10709748	Clip, Shaft		W10585151	Left Hand
	W11222205	Stainless	10	W10562492	Divider, Lower		W10585150	Right Hand
3	W11328753	Screw	11	W10469177	Support, Pan	17		Gasket, Door
4	W10503522	Shaft	12	W10564680	Assembly, Pan Front		W10248748	Black
5		Assembly, Bracket	13	489443	Screw (Stainless)	18	W10643690	Axle, Roller
	W10795771	Left Hand	14		Adapter, Upper Pan	19	W10248555	Roller, Pan
	W10795769	Right Hand		W10619221	Left Hand			
6	W10634640	Assembly, Lower Pan (Freezer)		W10619220	Right Hand			

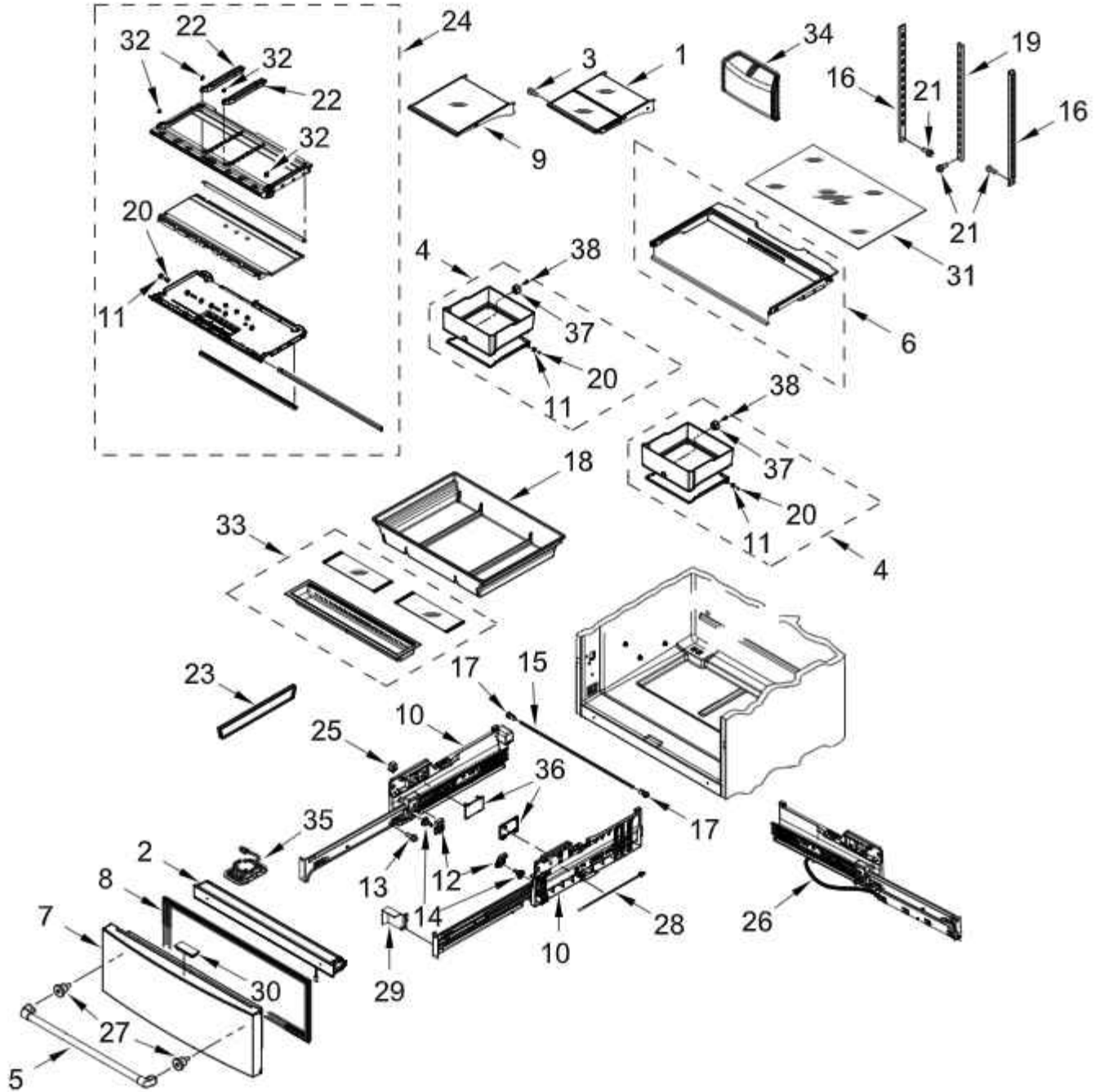
UNIT PARTS



UNIT PARTS

<u>Illus.</u> <u>No.</u>	<u>Part No.</u>	<u>Description</u>	<u>Illus.</u> <u>No.</u>	<u>Part No.</u>	<u>Description</u>	<u>Illus.</u> <u>No.</u>	<u>Part No.</u>	<u>Description</u>
1	W10141625	Screw	16	W11411956	Condenser (Also Order the Following Lokring Parts)	25	W10805035	Drier (Service Drier Without Dye) (Also Order the Following Lokring Parts)
2	2188935	Blade, Fan		W11504445	5/4 NR MS 00 (Heat Loop to Condenser)		W11504445	5/4 NR MS 00 (Heat Loop to Drier)
3	W11411853	Baseplate, Compressor		W11504431	7/5 NR MS 00 (Suction Line to Condenser)		W11506623	5 NK MS 00 (3-Way Valve to Drier)
4	12990511	Screw	17	W10391376	Bracket, Valve	26	W11515413	Compressor (Also Order the Following Lokring Parts)
5	W11541633	Extension, Drain	18	W11408656	Tray, Drip		W11504431	7/5 NR MS 00 (Suction Tube to Compressor)
6	W11401632	Assembly, 3 Way Valve (Also Order the Following Lokring Parts)	19	W10141645	Screw		W11504415	8.5/8 NR MS 00 (High Pressure Side to Compressor)
	W11506625	3 NK MS 00 (3-Way Valve to RC Capillary Tube - Cut/Splice near old Valve body)	20	W11394387	Assembly, Evaporator and Heater (Also Order the Following Lokring Parts)		W11506621	6 NK MS 00 (Charging Tube to Compressor)
	W11506625	3 NK MS 00 (3-Way Valve to FC Capillary Tube - Cut/Splice near old Valve body)		W11506620	8 NK AL 00 (Capillary Tube to Evaporator - Cut/Splice on Aluminum portion of old Evaporator)		W11506635	Tube, Charging (1/4 in w/ Schrader Valve)
	W11504445	5/4 NR MS 00 (3-Way Valve to Drier)		W11506620	8 NK AL 00 (Suction Line to Evaporator)	27	10623002	Clip, Evaporator
7	W10303521	Sleeve	21	W11516655	Assembly, RKV Valve Jumper Wire	28	12477202	Axle, Roller
8	W10660727	Tray, Evaporator	22	W11505535	Motor, Condenser Fan	29	W10406719	Shroud
9	W10622701	Screw	23	W11380964	Clip, Heater	30	2169104	Insulation, Sound Deadening
10	W11553968	Heater, Defrost	24	W11306946	Harness, Unit (Includes Power Cord)	31	W11323441	Assembly, Suction Tube
11	W11515300	Assembly, Inverter Box				32	W10141518	Screw
12	W10248621	Clip, Condenser				33	W11417341	Screw
13	12477102	Roller						REFRIGERANT CHARGE
14	12992101	Screw						53 grams (R600a)
15	10835903	Grommet						

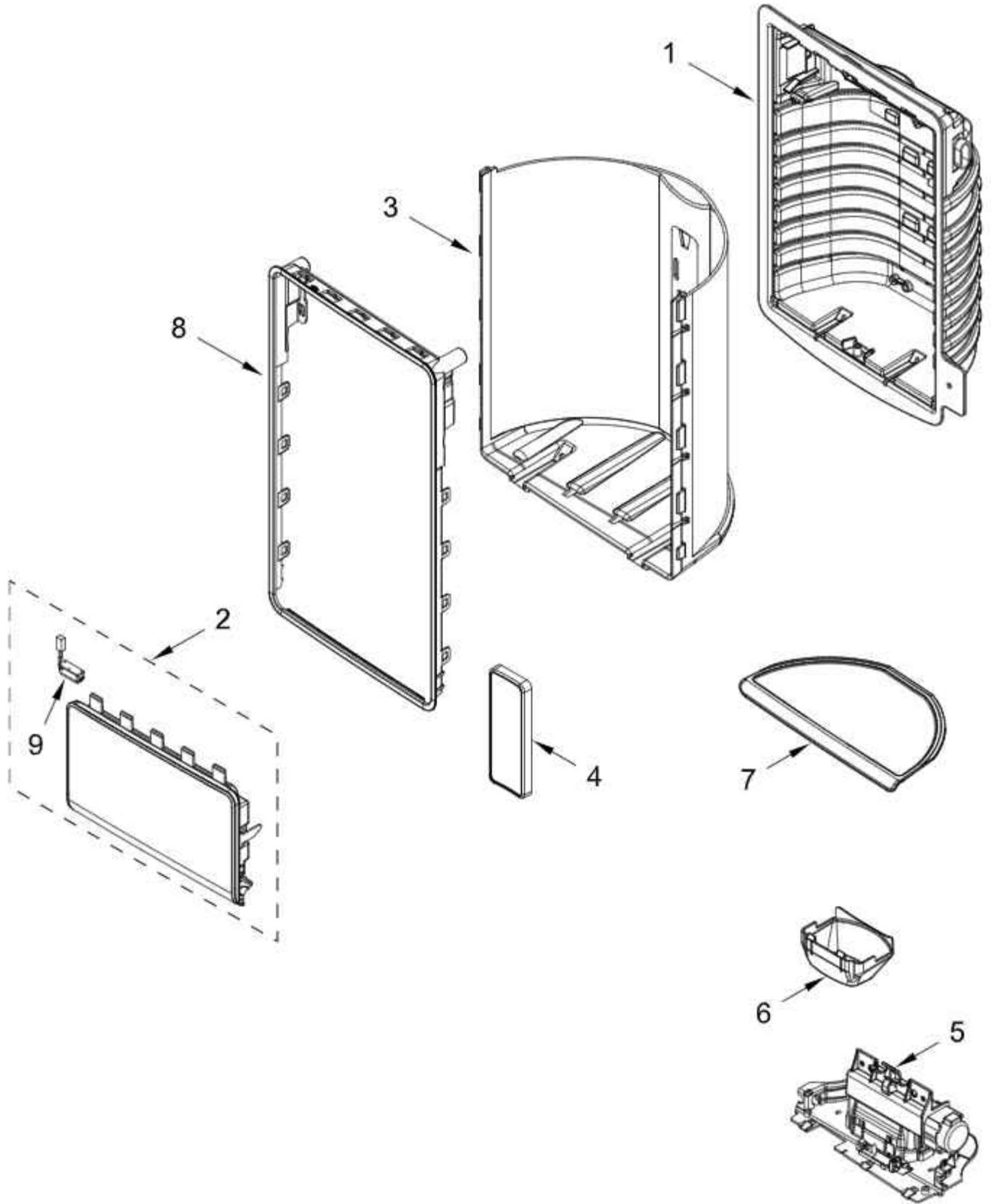
SHELF PARTS



SHELF PARTS

<u>Illus. No.</u>	<u>Part No.</u>	<u>Description</u>	<u>Illus. No.</u>	<u>Part No.</u>	<u>Description</u>	<u>Illus. No.</u>	<u>Part No.</u>	<u>Description</u>
1	W10737428	Assembly, Tuck Shelf	11	W10788795	Roller	28	W10549991	Thermistor
2	W11697259	Assembly, Secondary Mullion	12		Cover, Gear	29	W11695471	Cover, Connector
3	W10325002	Screw		W11698180	Left Hand	30		Assembly, User Interface
4	W11703349	Assembly, Crisper		W11698181	Right Hand		W11697799	Stainless
5		Handle, Door	13	12991702	Screw	31	W10893770	Glass, Crisper
	W11222205	Stainless	14	W10277360	Gear, Spur	32	12702901	Pad, Glide
6	W11696529	Assembly, Crisper Cover (Includes Front Support)	15	W11706355	Shaft, Rack	33	W10780178	Bin, Secondary Mullion
7		Door, Pantry (Includes Door Gasket)	16	W10467460	Ladder, Side	34	W10826105	Assembly, Produce Preserver
	W11699367	Black Stainless Gasket, Pantry	17	W10447530	Collar, Gear	35	W11228040	Assembly, LED Light Module
8	W10545600	Black	18	W10530656	Pan, Pantry	36	W10731491	Cover, Side Adapter
9	W10756314	Assembly, Shelf	19	W10467461	Ladder, Center	37	W11694798	Spacer, Crisper Handle
10		Adapter, Pantry	20	12991401	Screw	38	W10001160	Screw (Stainless)
	W11695482	Left Hand	21	W10423561	Screw			
	W11695479	Right Hand	22	W10638123	Guide, Crisper			
			23	W10772797	Divider, Large Pantry			
			24	W11696535	Assembly, Floor (Includes Heater)			
			25	W10847853	Switch, Rocker			
			26	W10512203	Harness, Side Adapter			
			27	W11328753	Screw			

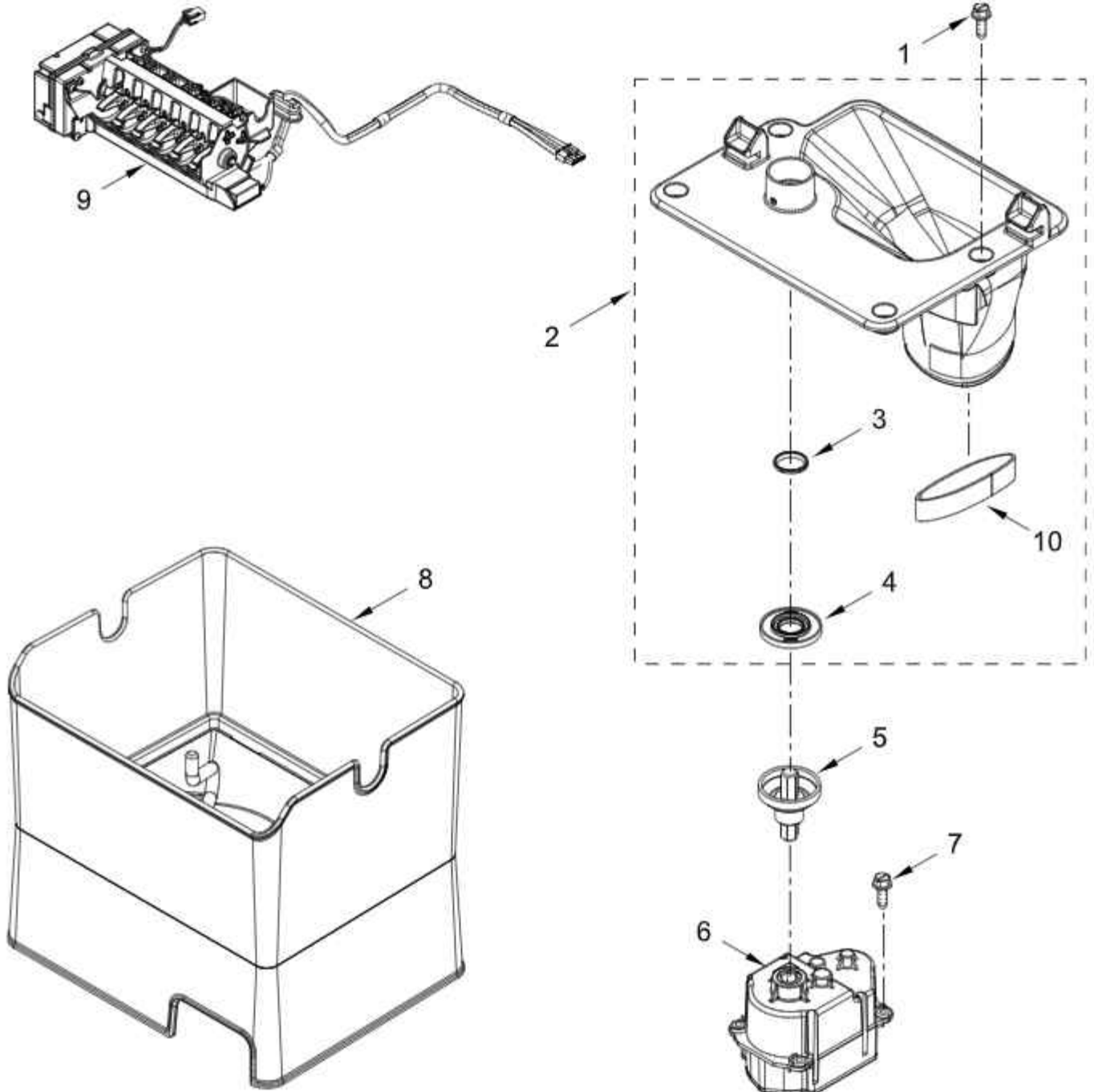
DISPENSER FRONT PARTS



DISPENSER FRONT PARTS

<u>Illus. No.</u>	<u>Part No.</u>	<u>Description</u>	<u>Illus. No.</u>	<u>Part No.</u>	<u>Description</u>	<u>Illus. No.</u>	<u>Part No.</u>	<u>Description</u>
1		Housing, Dispenser (Not Serviced)	4		Assembly, Pad	8		Ring, Trim
				W10473007	Grey		W10402180	Chrome
2		Assembly, User Interface	5	W10577864	Assembly, Seperator	9	W10470750	Assembly, LED
	W11697797	Grey	6	W10435760	Guide, Ice			
3		Wall, Dispenser False	7		Tray, Drip			
	W10819058	Grey		W10819059	Grey			

ICEMAKER AND ICE CONTAINER PARTS



ICEMAKER AND ICE CONTAINER PARTS

<u>Illus.</u> <u>No.</u>	<u>Part No.</u>	<u>Description</u>	<u>Illus.</u> <u>No.</u>	<u>Part No.</u>	<u>Description</u>	<u>Illus.</u> <u>No.</u>	<u>Part No.</u>	<u>Description</u>
1	W10272364	Screw	6	W11185741	Motor, Dispenser	9	W11554919	Assembly, Icemaker
2	W11705888	Plate, Ice Chute	7	8281163	Screw (Stainless)	10	W10291905	Gasket
3	2198628	Seal	8	W10564750	Assembly, Ice Container			
4	W10347120	Clip, Retainer						
5	W11363576	Shaft, Motor						

OPTIONAL PARTS

<u>Illus.</u> <u>No.</u>	<u>Part No.</u>	<u>Description</u>
		TOUCH-UP PAINT
	72032	Black PAINT, PRESSURIZED SPRAY (12 oz.)
	350939	Enamel, Black
	285006	Black Important: The spray paint is not to be used where the paint may make contact with the door gaskets.
		MISCELLANEOUS
	212643	Sealer, Gum (4 Feet)
	479502	Tape, Vinyl (3/4 x 108")
	876370	Insulation (2 Pieces, 3" x 24" x 48")
	876305	Insulation Kit (14 Pieces, 3" x 24" x 48")
	978941	Insulation, Fiberglass (63 1/2" x 35 1/2" x 2 5/8")
	876029	Kit, Foam Slab (30" x 32 1/2" x 1 1/2")
	505587	Sealer, Mastic (1 Qt)
	503695	Cork, Sealer
	542638	Grease, Silicone (1/2 Oz.)
	542639	Cement, Alumilastic (1 1/4 Oz.)
	833938	Kit, Terminal Connector
	8003RP	Kit, Water Inlet TORX SCREW WRENCH
	1117510	Torx Key