

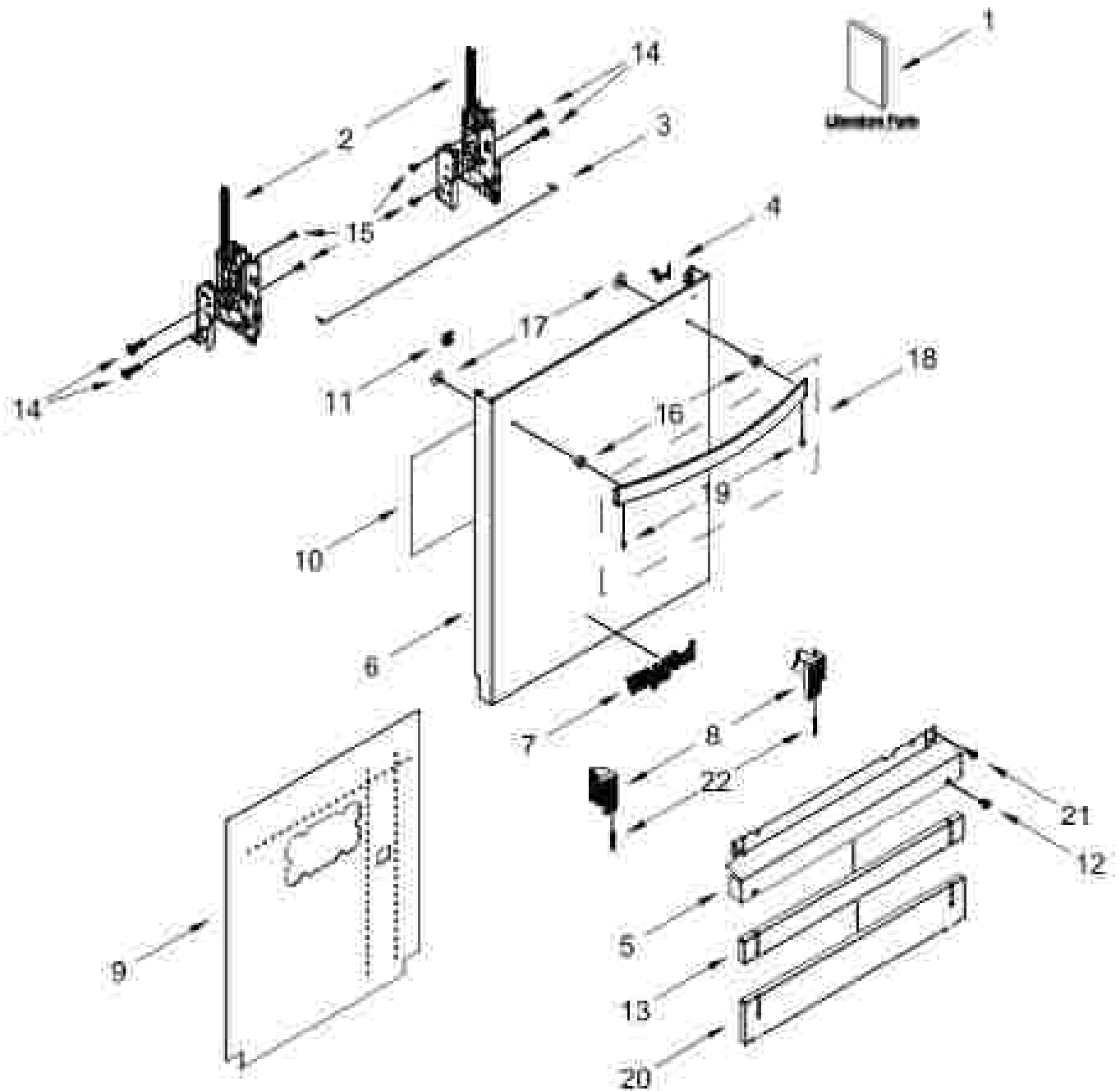


Dishwasher

MODELS:

- WDT350SAPB0 (Black)
- WDT350SAP1M0 (White)
- WDT350SAP20 (Stainless)

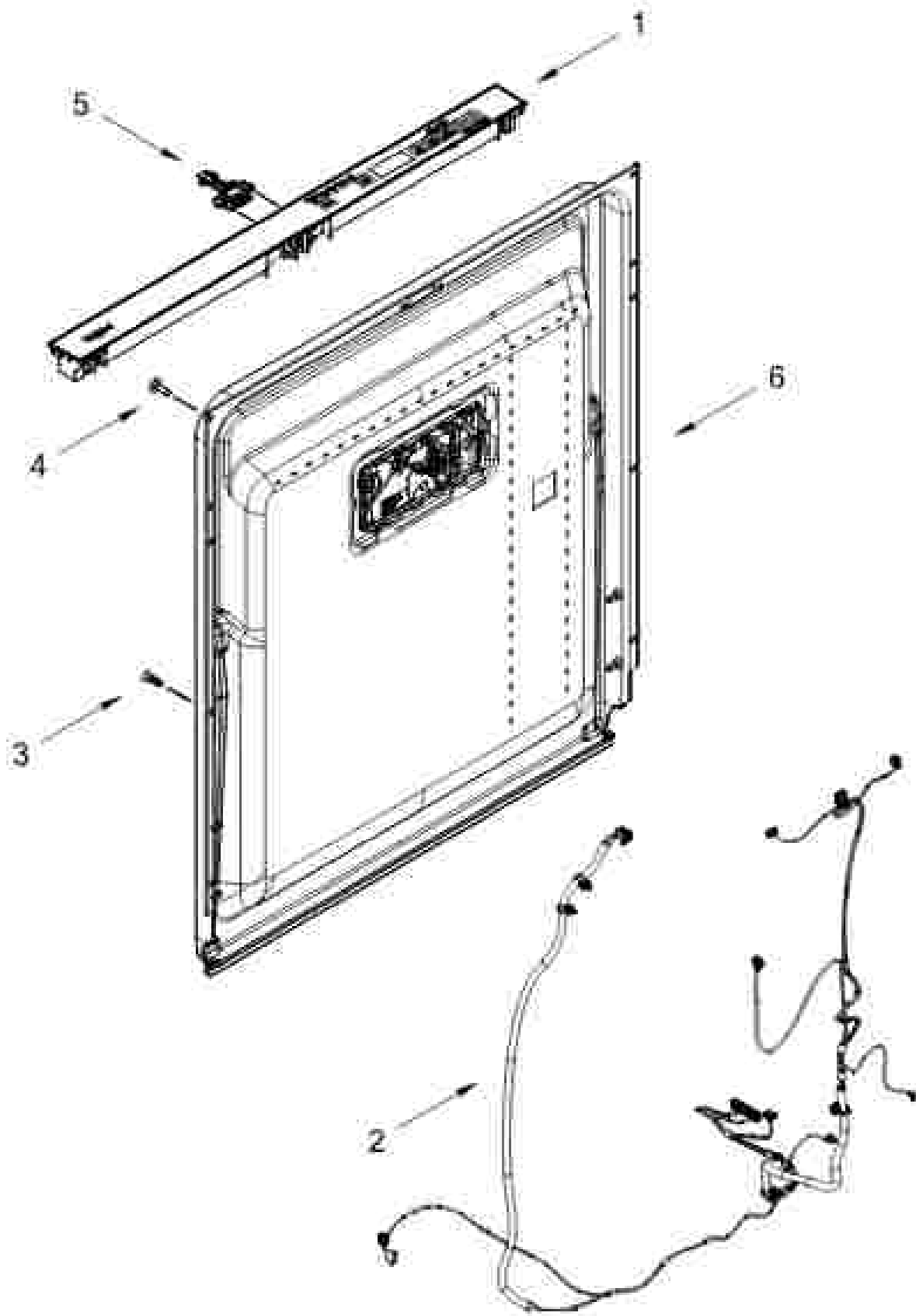
DOOR AND PANEL PARTS



DOOR AND PANEL PARTS

| <u>QTY.</u> <u>No.</u> | <u>Part No.</u> | <u>Description</u> | <u>QTY.</u> <u>No.</u> | <u>Part No.</u> | <u>Description</u> | <u>QTY.</u> <u>No.</u> | <u>Part No.</u> | <u>Description</u> |
|---------------------------|-----------------|---|---------------------------|-----------------|------------------------------|---------------------------|-----------------|------------------------------|
| 1 | | Literature Pack: | 8 | WH164999 | Support Door (Left) | 20 | WH1625155 | Panel, 2" Adjustable (Black) |
| | WH166999 | Owners Manual | | WH164999 | Support Door (Right) | 21 | WH1642053 | Screw |
| | WH161333 | Energy Guide | 8 | WH166400 | Insulation, Inner Door | 22 | WH1611293 | Screw |
| | WH162546 | Test Sheet | 10 | WH164124 | Insulation, Front Panel | | | |
| 2 | | Arm, Hinge | 11 | WH1614001 | Nut, Barrel | | | |
| | WH160798 | Left Hand | 12 | 102939 | Screw (Black) | | | |
| | WH160799 | Right Hand | 13 | WH1625155 | Panel, 2" Adjustable (Black) | | | |
| 3 | WH110919 | Cross Brace, Door | 14 | WH1642021 | Screw | | | |
| 4 | WH110920 | Upr. Pipe | 15 | WH1641989 | Screw | | | |
| 5 | WH162197 | Panel, Mesh Access (Black) | 16 | WH164999 | Support Door | | | |
| 6 | | Right Panel Includes 4, 7, 9, 15, 17, 25, 17 & 22 | 17 | WH164999 | Support Door | | | |
| | | | 17 | WH1611293 | Screw | | | |
| | | | 18 | | Handle Assembly | | | |
| | WH164970 | Black | | WH1409701 | Black | | | |
| | WH164989 | White | | WH1409897 | White | | | |
| | WH164973 | Stainless | | WH1409703 | Stainless | | | |
| 7 | WH163475 | Seal | 19 | WH163313 | Screw, Set | | | |

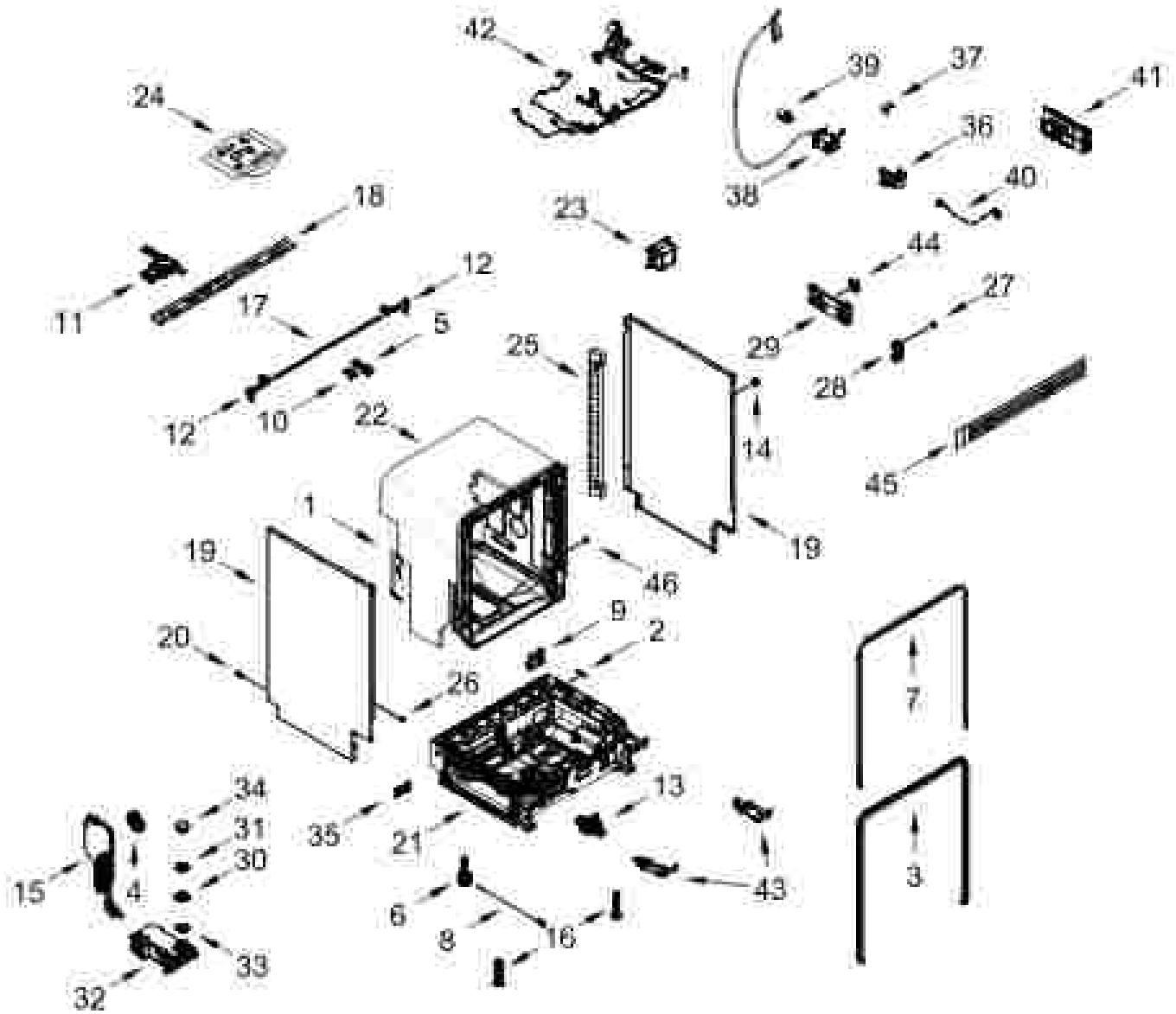
CONTROL PANEL AND INNER DOOR PARTS



CONTROL PANEL AND INNER DOOR PARTS

| Part No. | Description | Part No. | Description | Part No. | Description |
|-------------------|--------------------------------------|----------|----------------------------|----------|--|
| 1 | Console Assembly (Includes Inter) | 2 | Wiring Harness, Inner Door | 5 | Latch Assembly (Includes Switch) |
| W11345245 - Black | | 3 | W10941350 - Bolt | 6 | Inner Door Assembly (Includes Soap Dispenser) |
| W11345245 - White | | 4 | W12711684 - Bolt | | |

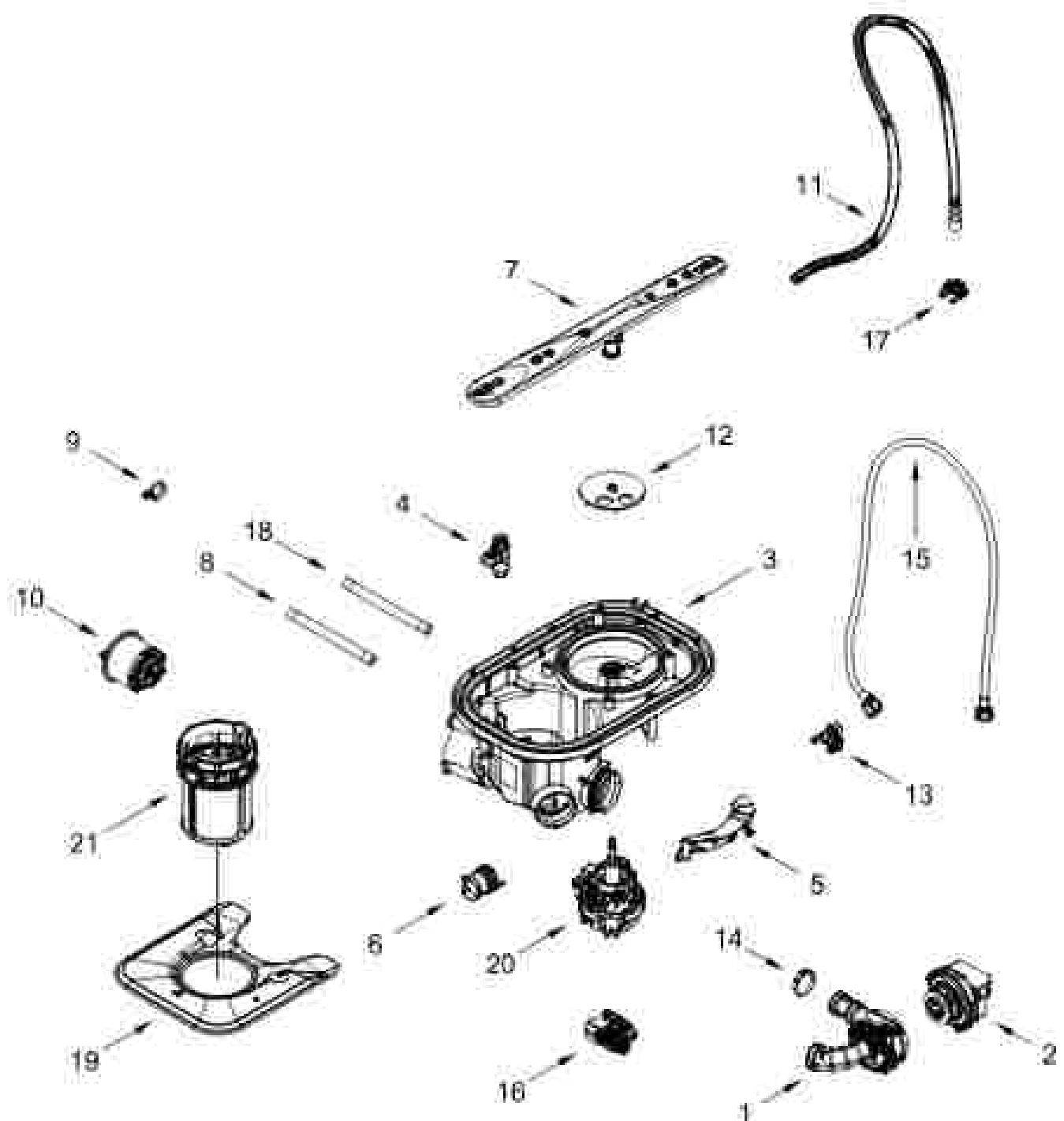
TUB AND FRAME PARTS



TUB AND FRAME PARTS

| <u>Qty.</u> <u>No.</u> | <u>Part No.</u> | <u>Description</u> | <u>Qty.</u> <u>No.</u> | <u>Part No.</u> | <u>Description</u> | <u>Qty.</u> <u>No.</u> | <u>Part No.</u> | <u>Description</u> |
|---------------------------|-----------------|-------------------------------|---------------------------|-----------------|--------------------------------|---------------------------|-----------------|-------------------------------|
| 1 | | Tub And Service | 17 | WH1217008 | Cover Top | 31 | WH1227894 | Cap. Set |
| 2 | WH1671732 | Rear Tub Support | 18 | WH1306174 | Crossbar, Front Frame | 32 | WH1448812 | Seal, Softener |
| 3 | WH1668830 | Gasket, Tub | 19 | WH1306600 | Side Panel, Left | 33 | WH1224032 | Seal, Softener |
| 4 | WH1306821 | Nut, Air Break | | WH1306600 | Side Panel, Right | 34 | WH1309488 | Funnel, Salt |
| 5 | WH1314775 | Slide, Latch | 20 | WH1306488 | Base | 35 | WH1668221 | Plate, In-Cut Holes |
| 5 | WH1316238 | Assembly, Leveling Leg (Rear) | 21 | WH1668087 | Assembly, Base | 36 | WH1642891 | Jumpin' RP to Control |
| 7 | WH1664381 | Relaxer, Tub Gasket | 22 | WH1664008 | Shield, Tub Sound | 37 | WH10943112 | Spring, Grounding |
| 8 | WH1325471 | Box, Foot Adjustment (Rear) | 23 | WH1643887 | Assembly, Junction Bar | 38 | WH1678108 | Power Cord Assembly |
| 9 | WH1668830 | Holder, Dampener | 24 | WH1668000 | Stackableus Parts Bag | 39 | WH1418782 | Filter, RP1 |
| 10 | WH1317045 | Cover, Door Opening | 25 | WH1668000 | Stackable Side Panel | 40 | WH1648873 | Jumpin' Harness, Service Port |
| 11 | WH1668750 | Assembly, Door Opening | 26 | WH1668000 | Stackable Side Panel | 41 | WH1668482 | Control, Electronic |
| 12 | WH1316652 | Cover, Tub Corner (Left) | 26 | WH1668047 | Base | 42 | WH1668018 | Wiring Harness, sign |
| | WH1316651 | Cover, Tub Corner (Right) | 27 | WH10941972 | Base | 43 | WH1684708 | Channel, Overflow (Left) |
| 13 | WH1603938 | Foot Switch | 28 | WH1248888 | Tub Mount, Upper (Left) | | WH1684709 | Channel, Overflow (Right) |
| 14 | WH1321522 | Plug, Tub | 29 | WH1306114 | Tub Mount, Third Level (Left) | 44 | WH1603970 | Nut, Tub |
| 15 | WH1668182 | Air Break | | WH1306113 | Tub Mount, Third Level (Right) | 45 | WH1673719 | Kit, Side Cover Installation |
| 16 | WH1325130 | Leg, Leveling (Front) | 30 | WH1227892 | Nut, Softener | 46 | WH1668022 | Button, Tub |

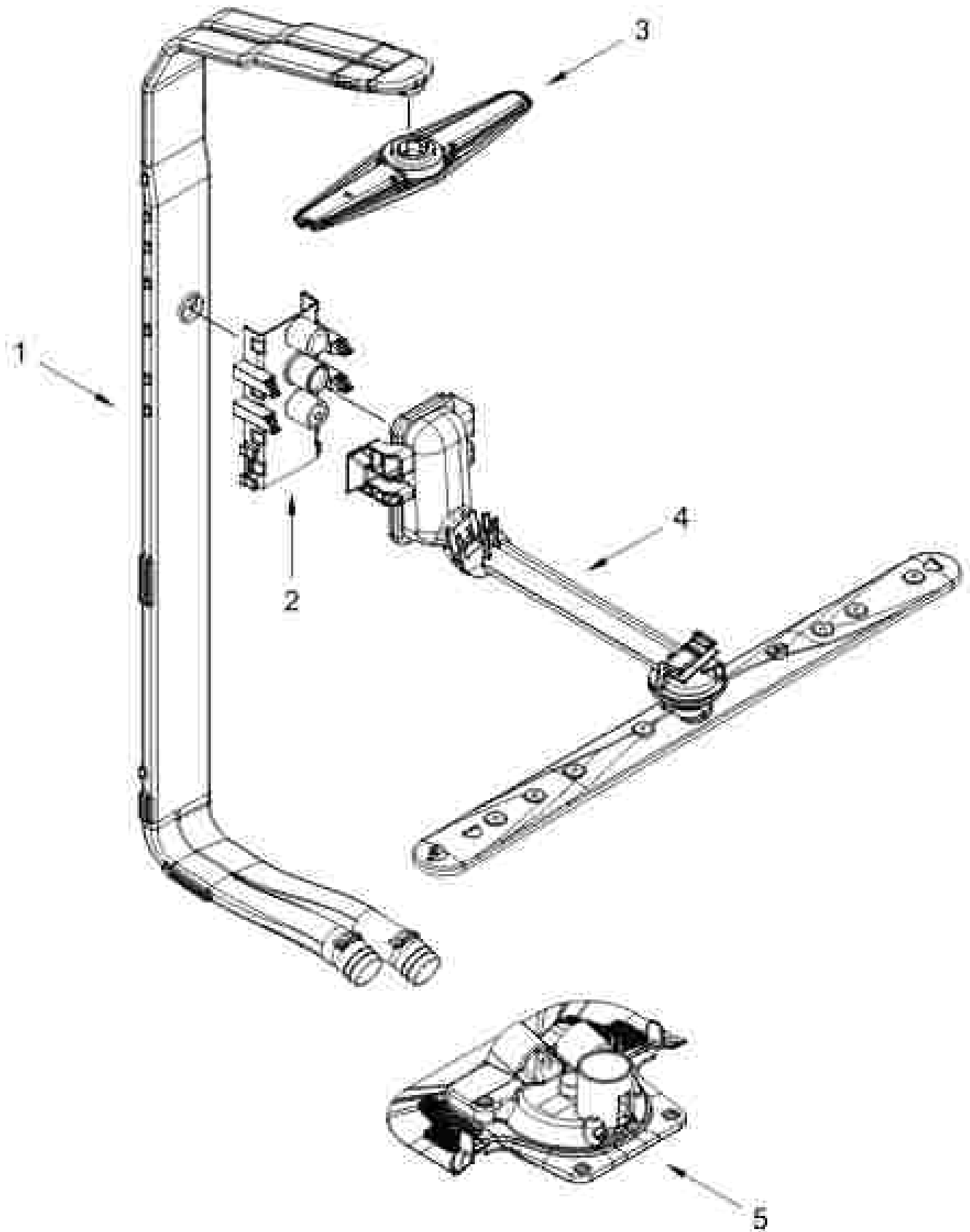
PUMP, WASHARM AND MOTOR PARTS



PUMP, WASHARM AND MOTOR PARTS

| <u>Part No.</u> | <u>Description</u> | <u>Part No.</u> | <u>Description</u> | <u>Part No.</u> | <u>Description</u> |
|-----------------|--------------------------------|-----------------|-----------------------------------|-----------------|-------------------------------|
| 1 | W11530727 Header Pump | 9 | W10098331 Clamp, Hose | 17 | W10622517 Clp. Hose |
| 2 | W11530728 Motor Pump | 10 | W11531851 Motor, Dish | 18 | W11088894 Hose, Int |
| 3 | W11530853 Bump (Includes Seal) | 11 | W11530593 Hose, Dish | 19 | W11442113 Grate |
| 4 | W11530923 Dish Vent Assembly | 12 | W11179639 Disc, Chiller | 20 | W11542524 Diveral Valve Motor |
| 5 | W11530957 Diffuser, Int | 13 | W11545325 Fil Valve Assembly | 21 | W11555845 Filter |
| 6 | W11530934 Check Valve, Dish | 14 | W11122251 Clamp, Hose | | |
| 7 | W11530957 Wash Arm Assembly | 15 | W11457532 Hose, Int | | |
| 8 | W11530952 Hose, Pump-Int | 16 | W11125174 Indicator, Optical Wash | | |

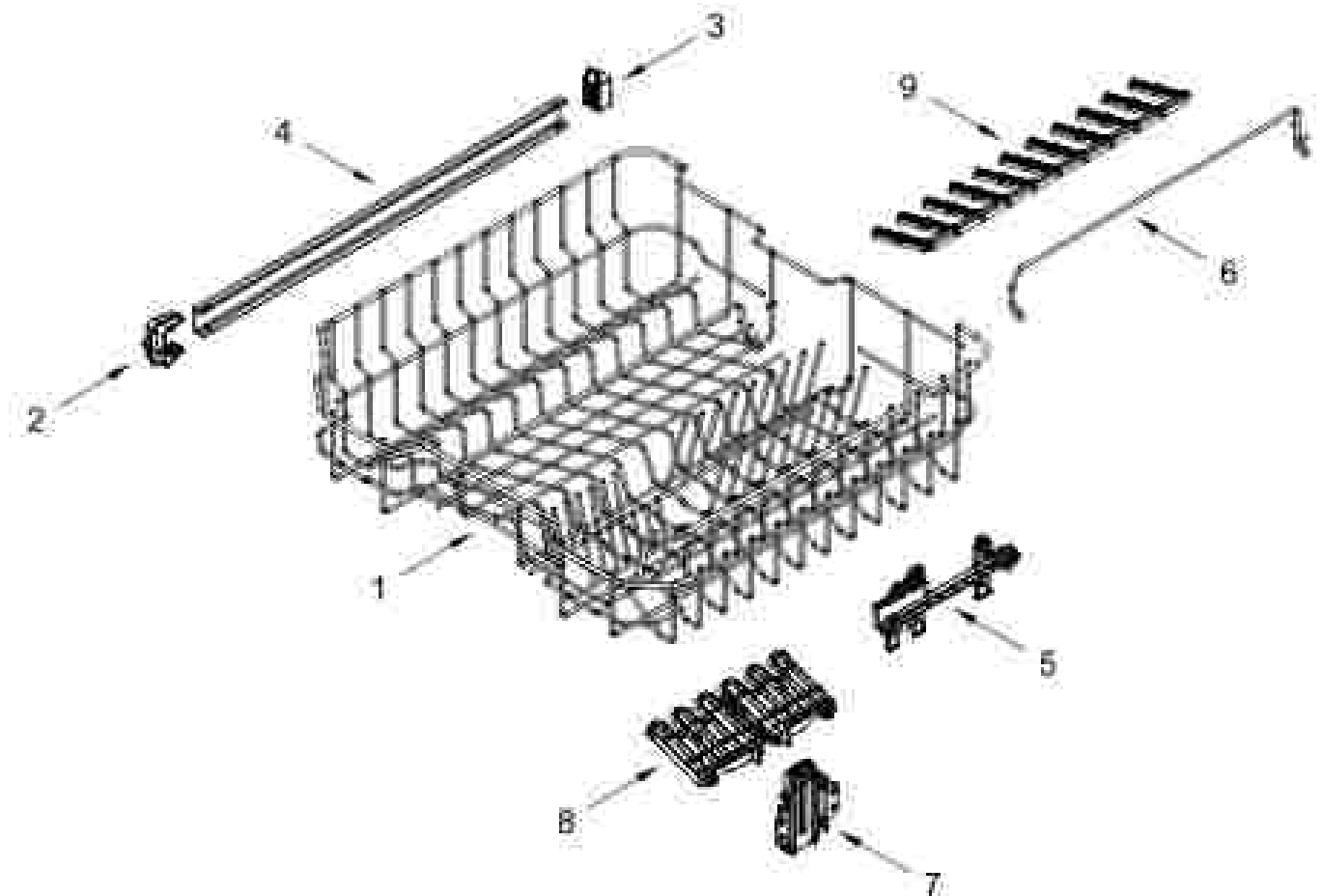
UPPER WASH AND RINSE PARTS



UPPER WASH AND RINSE PARTS

| <u>Qty</u> <u>No.</u> | <u>Part No.</u> | <u>Description</u> | <u>Qty</u> <u>No.</u> | <u>Part No.</u> | <u>Description</u> | <u>Qty</u> <u>No.</u> | <u>Part No.</u> | <u>Description</u> |
|--------------------------|-----------------|---------------------------|--------------------------|-----------------|---------------------|--------------------------|-----------------|---------------------|
| 1 | W1152252 | Feet Tube Assembly | 2 | W1152221 | Screen, Third Level | 4 | W1152225 | Upper Sump Assembly |
| 2 | W1152215 | Reliner, Dosing 2nd Level | | | | 5 | W1152220 | Coil, Detergent |

UPPER RACK AND TRACK PARTS



UPPER RACK AND TRACK PARTS

Row
No. Part No. Description

- 1 W1152113 Cabinet, Upper
- 2 W1131214 Track Stop, Front
- 3 W1131216 Track Stop, Rear
- 4 W1152148 Track, Divided

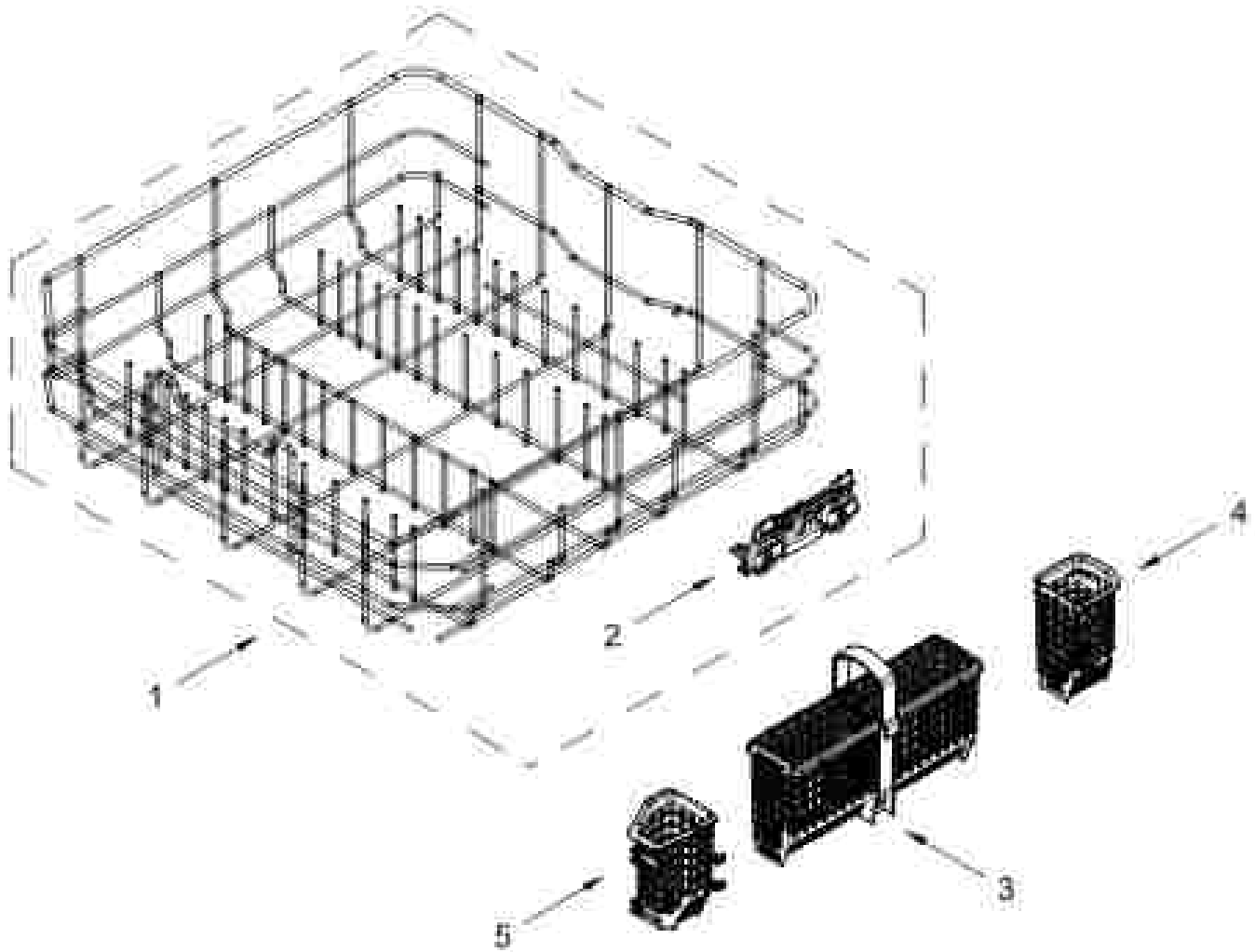
Row
No. Part No. Description

- 5 W1152247 Adjustment Assembly (L&R)
- 6 W1152248 Adjustment Assembly (Right)

Row
No. Part No. Description

- 7 W1152249 Support, Tire Rack
- 8 W1152252 Cup, Cup Shelf
- 9 W1152255 Cup Shelf
- 0 W1152243 Tire Rack, Fold Down

LOWER RACK PARTS



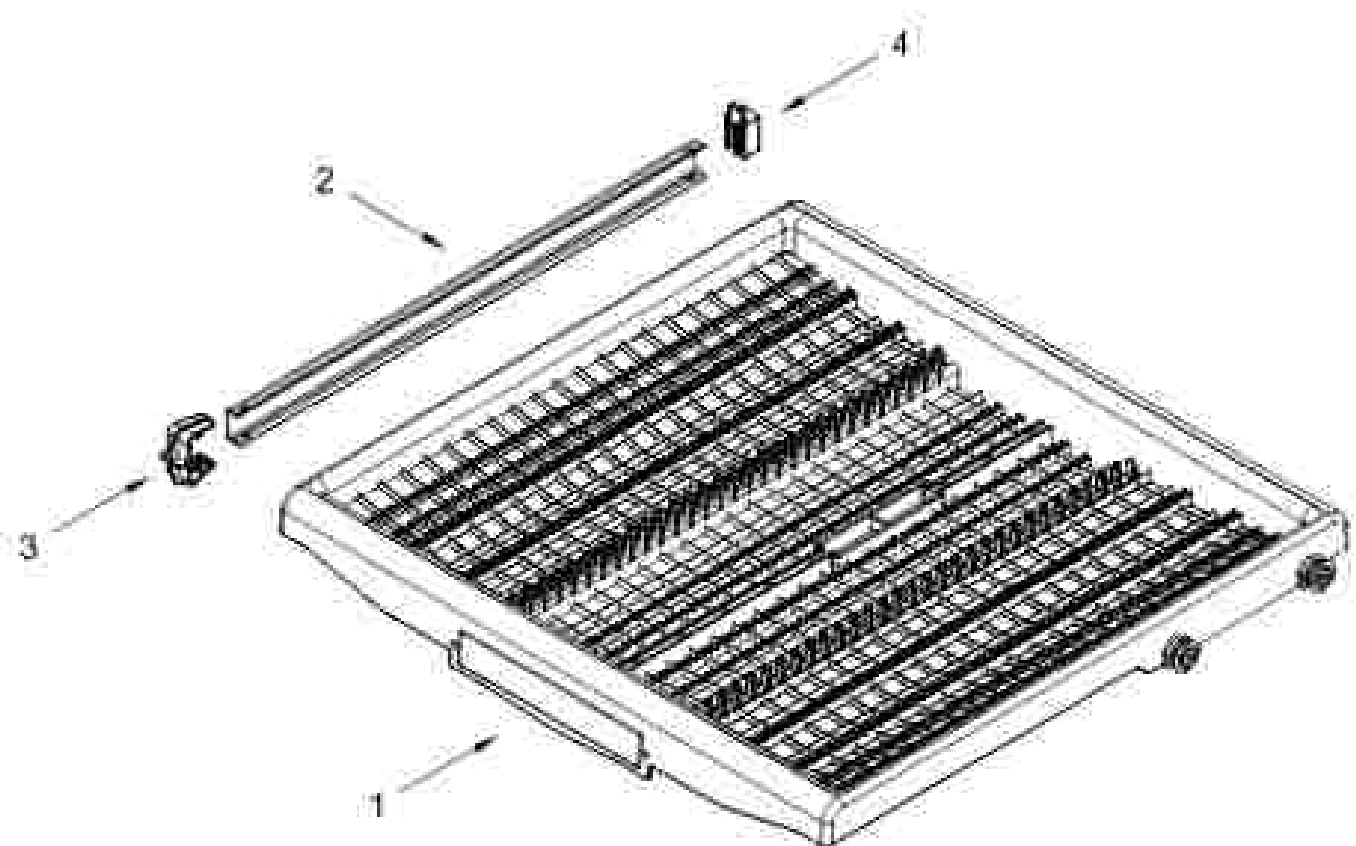
LOWER RACK PARTS

| <u>Row</u> <u>No.</u> | <u>Part No.</u> | <u>Description</u> |
|--------------------------|-----------------|-------------------------------|
| 1 | W11343871 | Control Lever |
| 2 | W11343833 | Wheel & Transport Assembly |

| <u>Row</u> <u>No.</u> | <u>Part No.</u> | <u>Description</u> |
|--------------------------|-----------------|-----------------------------|
| 3 | W11322874 | Universal Saver Assembly |

| <u>Row</u> <u>No.</u> | <u>Part No.</u> | <u>Description</u> |
|--------------------------|-----------------|-------------------------|
| 4 | W11324837 | Universal Saver (Rear) |
| 5 | W11324835 | Universal Saver (Front) |

THIRD LEVEL RACK AND TRACK PARTS



THIRD LEVEL RACK AND TRACK PARTS

| <u>QTY</u> <u>NO.</u> | <u>Part No.</u> | <u>Description</u> |
|--------------------------|-----------------|--------------------|
| 1 | W1833217 | Rack, Third Level |
| 2 | W1833445 | Track, Drive |

| <u>QTY</u> <u>NO.</u> | <u>Part No.</u> | <u>Description</u> |
|--------------------------|-----------------|--------------------|
| 3 | W1832514 | Track Rod, Front |
| 4 | W1832515 | Track Rod, Rear |